

**RT-6015-G2/RT-6016-G2  
RT-6015Q-G2/RT-6016Q-G2  
Fanless Touch POS Terminal  
User Manual**



## **SOME IMPORTANT NOTES**

### **FCC NOTES**

This equipment has been tested and found to comply with the limits for a Class A digital device, pursuant to part 15 of the FCC Rules. These limits are designed to provide reasonable protection against harmful interference when the equipment is operated in a commercial environment. This equipment generates, uses, and can radiate radio frequency energy and, if not installed and used in accordance with the instruction manual, may cause harmful interference to radio communications. Operation of this equipment in a residential area is likely to cause harmful interference in which case the user will be required to correct the interference at his own expense.

This device complies with part 15 of the FCC Rules. Operation is subject to the following two conditions: (1) This device may not cause harmful interference, and (2) this device must accept any interference received, including interference that may cause undesired operation.

### **CE CLASS A WARNING**

This equipment is compliant with Class A of CISPR 32. In a residential environment this equipment may cause radio interference.

### **AVERTISSEMENT CE CLASSE A**

Cet équipement est conforme à la classe A de CISPR 32. Dans un environnement résidentiel, cet équipement peut provoquer des interférences radio.

### **WARRANTY LIMITS**

Warranty will terminate automatically when the machine is opened by any person other than the authorized technicians. The user should consult his/her dealer for the problem happening. Warranty voids if the user does not follow the instructions in application of this merchandise. The manufacturer is by no means responsible for any damage or hazard caused by improper application.

### **LIMITES DE GARANTIE**

La garantie prend fin automatiquement lorsque la machine est ouverte par une personne autre que les techniciens autorisés. L'utilisateur doit consulter son revendeur pour le problème qui se produit. La garantie s'annule si l'utilisateur ne suit pas les instructions d'application de cette marchandise. Le fabricant n'est en aucun cas responsable de tout dommage ou danger causé par une mauvaise application.

**RT-6xxx-G2/6xxxQ-G2 Ver. A0**

## **警告使用者**

為避免電磁干擾，本產品不應安裝或使用於住宅環境。

## **SAFETY INSTRUCTIONS**

This equipment is not suitable for use in locations where children are likely to be present.

## **CONSIGNES DE SÉCURITÉ**

Cet équipement ne convient pas à une utilisation dans des lieux pouvant accueillir des enfants.

## **WARNING**

Power cord shall be connected to a socket-outlet with earthing connection.

## **ATTENTION**

Le cordon d'alimentation doit être connecté à une prise de courant avec mise à la terre.

## **BATTERY WARNING**

Risk of explosion if battery is replaced by an incorrect type. Dispose of expended battery in accordance with local disposal regulations.

## **AVERTISSEMENT DE BATTERIE**

Risque d'explosion si la batterie est remplacée par un type incorrect. Jetez la batterie usagée conformément aux réglementations locales en matière d'élimination.

## **警告**

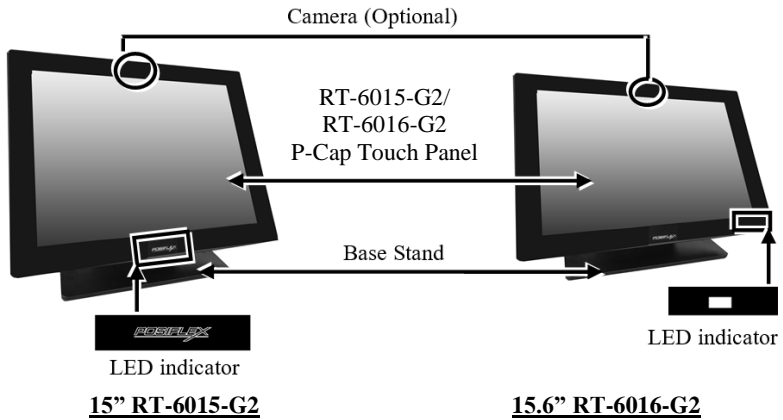
本電池如果更換不正確會有爆炸的危險，請依製造商說明書處理用過之電池。

## **Package Contents**

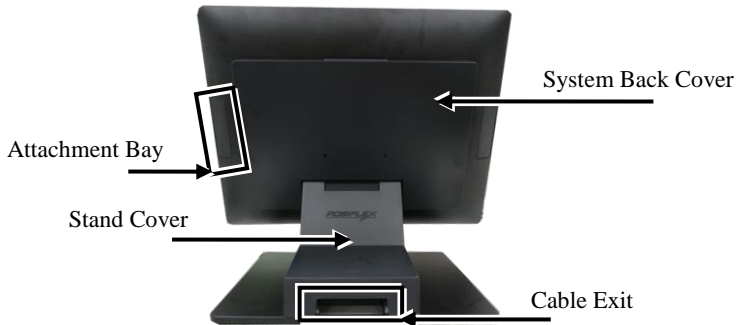
- ✓ RT-6015-G2/RT-6015Q-G2 15" fanless touch terminal or  
RT-6016-G2/RT-6016Q-G2 15.6" fanless touch terminal.....(x1)
- ✓ Power adapter.....(x1)
- ✓ Power cord.....(x1)

## Views of RT-6015-G2/RT-6016-G2

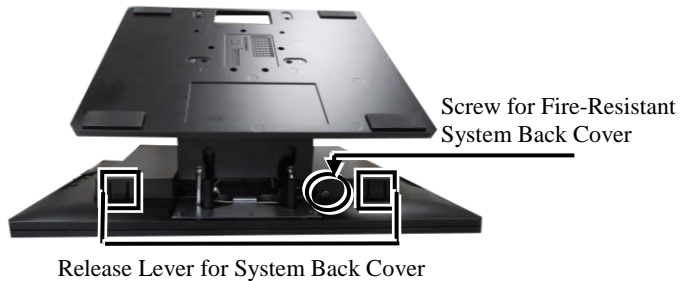
### Front View



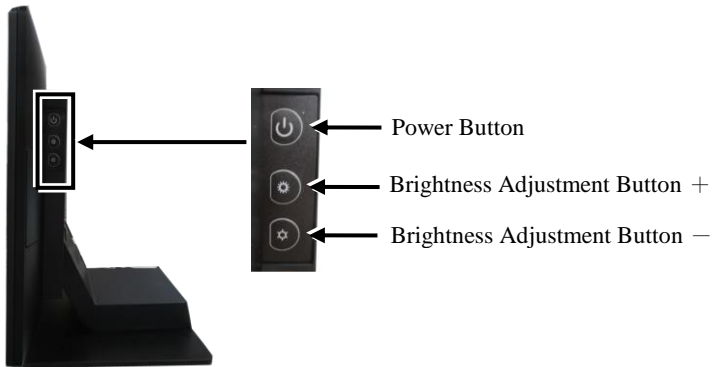
### Rear View



### Bottom View

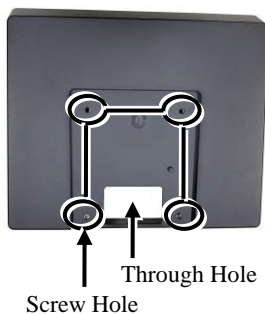


## Left-Side View

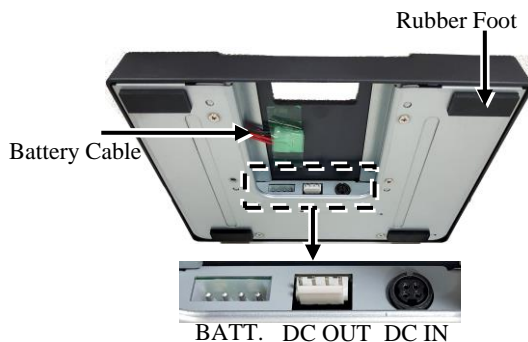


## **Views of RB-5000 UPS Base Stand (Option for RT-6xxx-G2 Model, NOT for RT-6xxxQ-G2 Model)**

### Top View



### Bottom View



**When the AC power is turned off, the RT terminal will begin to be powered by the UPS battery and the RB-5000 will beep once every three seconds. At this time, back up the data on the terminal immediately and power off the RT terminal.**

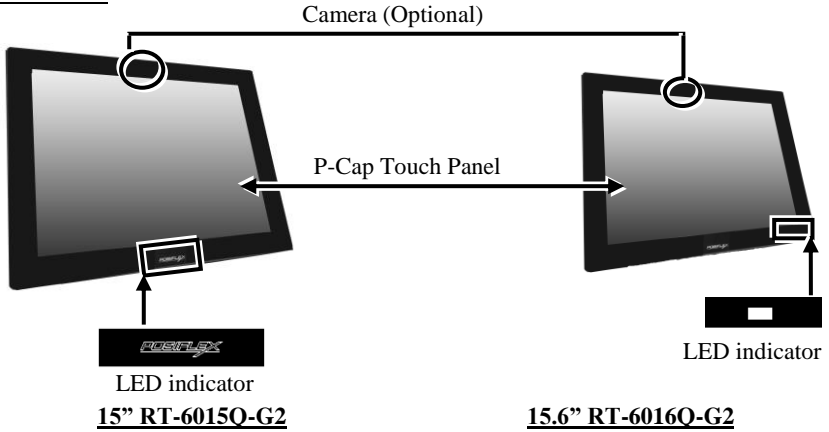


**When the AC power is turned off, if the UPS battery is very low, the RB-5000 will beep once every second. At this moment, power off the RT terminal immediately.**

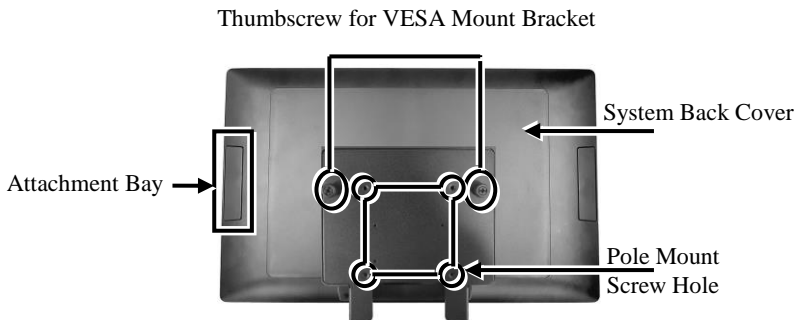
To get more detailed information of RB-5000, please contact the service team of Posiflex or download the RB-5000 user manual from Posiflex Global Website: ([https://download.posiflex.com/en-global/Download/index/manualUinstall\\_guide/pos-terminal/RT-6015-G2](https://download.posiflex.com/en-global/Download/index/manualUinstall_guide/pos-terminal/RT-6015-G2)).

# Views of RT-6015Q-G2/RT-6016Q-G2

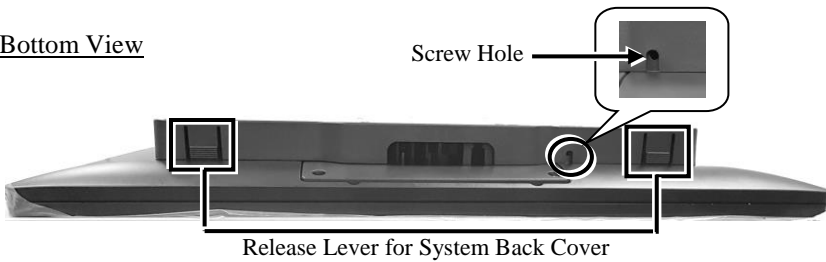
## Front View



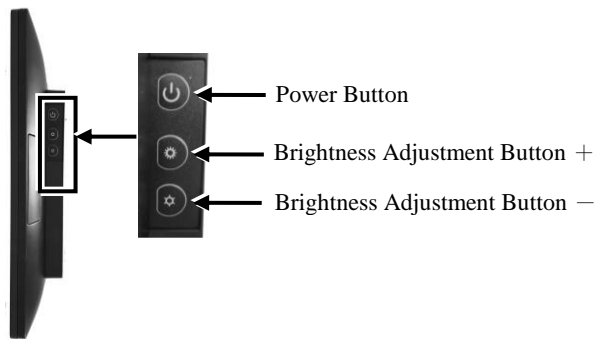
## Rear View



## Bottom View



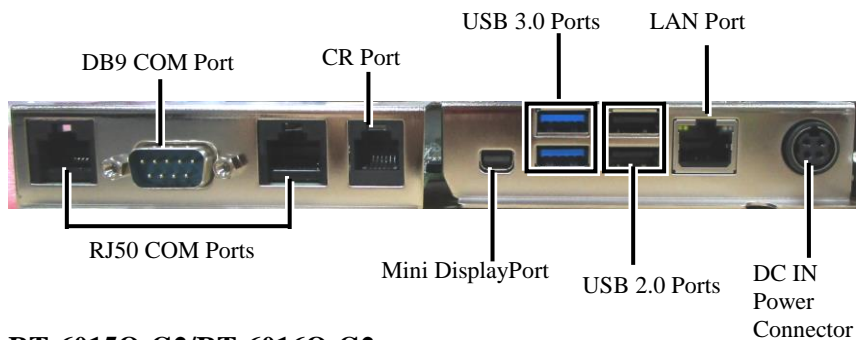
Right-Side View



**View of I/O Interface of RT-6xxx-G2/6xxxQ-G2**

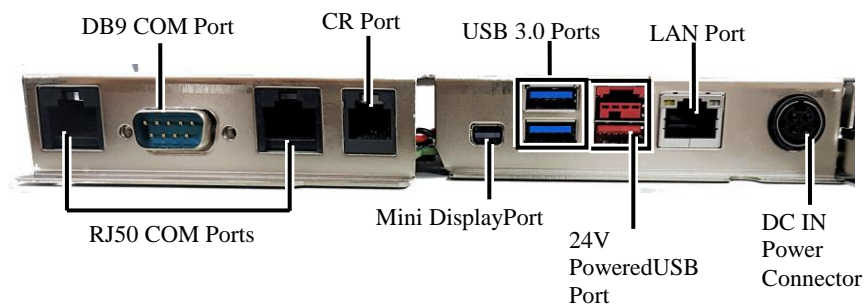
**RT-6015-G2/RT-6016-G2**

Bottom Side View



**RT-6015Q-G2/RT-6016Q-G2**

Bottom Side View



## Left Side View



### **Positioning your POS for a Perfect Viewing Angle**

Steady the base with one hand, and then tilt the screen in the direction shown by the arrow in the figure. Please do NOT press on the LCD panel while setting up the tilt angle.



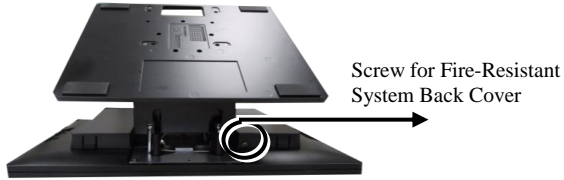
### **Installing Power Adapter and Cables for RT-6xxx-G2**

The following provides instructions required to install your cables.

1. Lay the terminal with its rear facing towards you and tilt the screen all the way down.



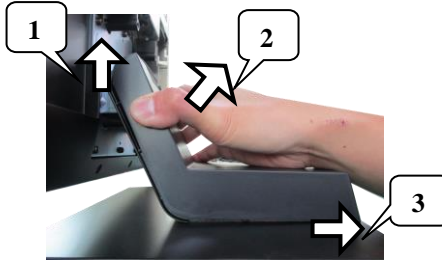
2. Remove the system back cover.
  - 2.1 If the system back cover is fire-resistant, first locate the screw as indicated in the figure, and then remove it.



- 2.2 Hold down the release lever at the bottom of the system back cover and then pulling the cover outwards.



3. To remove the stand cover from the base, grab the top side of the cover, (1) lift the stand cover up gently, (2) pull it at a 45 degree angle, and then (3) slide it in the horizontal direction shown by the arrow.

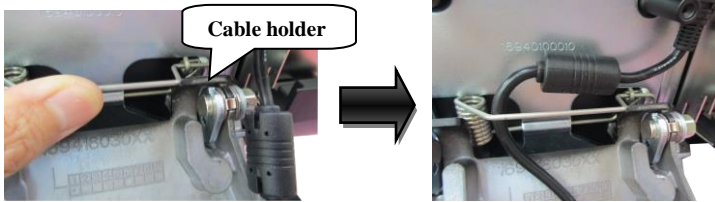


4. Connect the connector of the power adapter to the DC-IN power jack. If necessary, properly insert other cables into the correct port.





5. **Neatly arrange the cables.** Locate the cable holder inside the base as shown in the figure. Push down the lever to release it from the hook, pass the cable through cable holder, and then press down the lever again to lock it onto the hook.



6. Make sure the cord can be held into place and passed through the cable exit after sliding back the stand cover.



- 7.1 Place back the system back cover. Make sure it is well locked into place with a click sound.



- 7.2 For the fire-resistant system back cover, please insert another screw into the screw hole indicated in the figure, and secure it.



8. Make sure the cable could be pulled out of the cable exit from the bottom of the base.

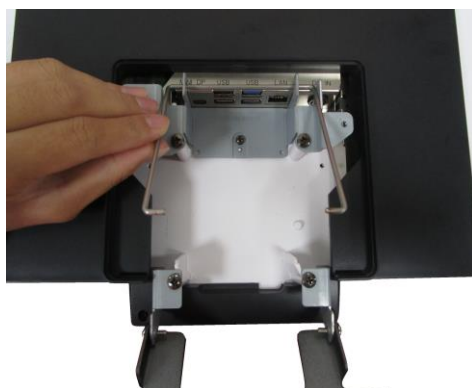
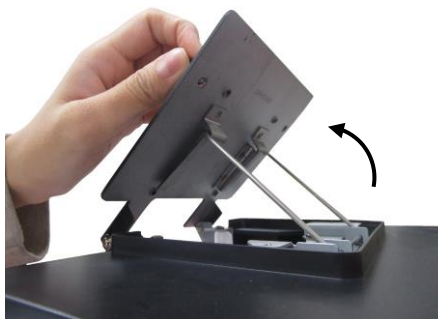


## Installing Power Adapter and Cables for RT-6xxxQ-G2

1. There are two thumbscrews on the VESA mount bracket. Loosen the two thumbscrews.



2. Open the VESA mount bracket, and make the bracket separate from the two metal sticks.



3. Connect the connector of the power adapter to the DC-IN power jack. If necessary, properly insert other cables into the correct port.



4. Close the VESA mount bracket, and then fasten the two thumbscrews.

Cable connectors like the connector of LAN cable have to be gently inserted until a click sound is given. It is recommended that the I/O ports, such as COM (DB9) port and VGA port, should be fastened with connector thumb screws after the I/O cable connectors are completely connected. And please make sure that each connector has to be connected to the right peripheral device in the right way.

**CAUTION: On doing insertion or extraction of a cable connector, please always hold the connector head itself instead of pulling the cable wire. Doing this could damage the cables, which is considered as an artificial damage and is not covered by the warranty. The means of power cord should be connected to a socket-outlet with earthing connection.**

**ATTENTION: Lors de l'insertion ou de l'extraction d'un connecteur de câble, veuillez toujours tenir la tête du connecteur elle-même au lieu de tirer le fil du câble. Cela pourrait endommager les câbles, ce qui est considéré comme un dommage artificiel et n'est pas couvert par la garantie. Le cordon d'alimentation doit être connecté à une prise de courant avec mise à la terre.**

### **Installing Optional Upgrade Kits and Peripherals**

RT-6xxx-G2/6xxxQ-G2 is an expandable model which allows you to upgrade its own capacity by additionally installing multiple peripheral devices, such as magnetic stripe reader (MSR), fingerprint or iButton sensors, and 2<sup>nd</sup> rear-mount POS monitor, according to your preference. The following will give you brief instructions on how to expand on your current POS system with these optional upgrade kits. Before proceeding with the installation of peripherals, please make sure the POS system is completely shut down to prevent damage.

➤ **Installing Side Mount Upgrade Kits**

Located at left side on the back of your system unit, side mount compartment is mainly used for installation of side-mounted equipment, such as magnetic stripe reader. For detailed installation instructions, please refer to the user manual specific to the device which you intend to mount onto the terminal.



➤ **Installing Rear-Mount POS Monitor**

RT-series POS terminal also allows you to additionally install rear-mount POS monitor to expand its functionality. Regarding the step-by-step instructions which aim to help you mount it onto your POS system, Please refer to the user manual specific to the device you intend to install.



➤ **Installing PoweredUSB or USB Hub for RT-6xxx-G2**

Please go through the below steps to complete the installation of PoweredUSB or USB hub.

1. After tilting the screen all the way down, remove the system back cover.
  - 1.1 If the system back cover is fire-resistant, first locate the screw as indicated in the figure, and then remove it.



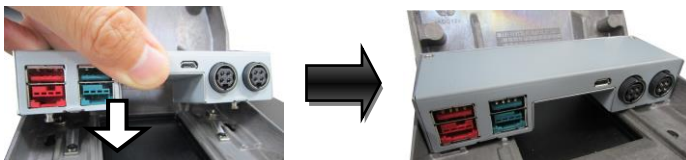
- 1.2 Hold down the release lever at the bottom of the system back cover and then pulling the cover outwards



2. To remove the stand cover from the base, grab the top side of the cover, (1) lift the stand cover up gently, (2) pull it at a 45 degree angle, and then (3) slide it in the horizontal direction shown by the arrow.



3. Align the two screw bolts at the bottom of PoweredUSB or USB hub with rail slots in the base.



4. Push PoweredUSB or USB hub in the direction shown by the arrow to lock it into place.



To remove the PoweredUSB or USB hub from the rail slots, press down the hubs first and then push it outwards.



5. Install power adaptor extension cable, USB cable, and power adaptor for **PoweredUSB hub**.

5.1 Insert one end of the provided power adaptor extension cable to DC Input port of PoweredUSB hub and another end to DC-in power jack of the terminal.



5.2 Insert mini-USB connector of the USB cable to PoweredUSB hub and another end to USB3.0 port of the terminal.



5.3 Connect the connector of the power adaptor to DC Output port of PoweredUSB hub, and the other end to the electrical outlet.



6. To Install USB cable for **USB hub**, Plug Type-A connector of USB cable to USB Port of USB hub and the other end of USB cable to USB3.0 port of the POS terminal.



7. Neatly arrange your cable and then slide back the stand cover.



8. .  
8.1 Place back the system back cover. Make sure it is well locked into place with a click sound



- 8.2 For the fire-resistant system back cover, please insert another screw into the screw hole indicated in the figure, and secure it.



### Status LED Indicator

LED status indicator, which is located at the bottom edge of the LCD panel, is mainly responsible for notifying users of the current system status by emitting various LED signals. In the chart provided below, it describes all the possible LED status as a quick reference.

#### 15" 6015-G2/6015Q-G2

LED Status	Description
Off	System power OFF
Green	System standby
Blue	System power ON

#### 15.6" RT-6016-G2/6016Q-G2

LED Status	Description
Off	System power OFF
Orange	System standby
Blue	System power ON

### Powering ON/OFF RT-6xxx-G2/6xxxQ-G2

#### Power ON RT-6xxx-G2/6xxxQ-G2

Press down the power button to power on the POS.



#### Power OFF RT-6xxx-G2/6xxxQ-G2

In most cases, press the power button of the POS to power the system off. If the terminal fails to turn off the machine for unknown reasons, please be advised to hold the power button more than 10 seconds to force a shutdown of the system.

## Installing an Operating System

You are highly advised not to install an operating system on RT-6xxx-G2/6xxxQ-G2 without professional instructions. Improper installation could lead to system malfunction or failure. Please contact with your dealers about the issues of operating system installation.

## Driver Download

If your POS terminal is shipped without OS pre-installed, please download the relevant driver that you need from the Posiflex website

(<https://download.posiflex.com/en-global/Download/index/driver/pos-terminal/RT-6015-G2>).

## Performing System Recovery

For RT-6xxx-G2/6xxxQ-G2 model with preloaded operating systems, Recovery DVD which includes useful utilities will be provided in the package to assist you in efficiently restoring or repairing your damaged system. However, you are not encouraged to recover your system without the help of system integrators. Please be advised to contact your service center for further assistance with system recovery.

## Operation Environment

To prevent RT-6xxx-G2/6xxxQ-G2 from overheating, it is suggested to position your terminal in a well-ventilated working environment. In doing so, please be advised to keep the POS terminal at least 25mm away from other devices to ensure the machine is properly cooled down and functioning normally.

## Specifications

	<b>RT-6015-G2</b> <b>RT-6016-G2</b>	<b>RT-6015Q-G2</b> <b>RT-6016Q-G2</b>
<b>CPU</b>	Intel Tiger Lake Core i3 (default) /i5/i7 CPU	
<b>System Memory</b>	2 x DDR4 SO-DIMM	
<b>Storage Device</b>	2 x M.2 2280	
<b>OS Support</b>	Windows 10 IoT	
<b>vPro</b>	Supported by Intel Tiger Lake Core i5/i7 CPU	
<b>TPM</b>	Yes, TPM2.0 (Intel PTT)	
<b>RAID</b>	Yes	
<b>Power Supply</b>	12V/60W, can be upgraded to 150W while adopting PoweredUSB module in the base	12V/150W

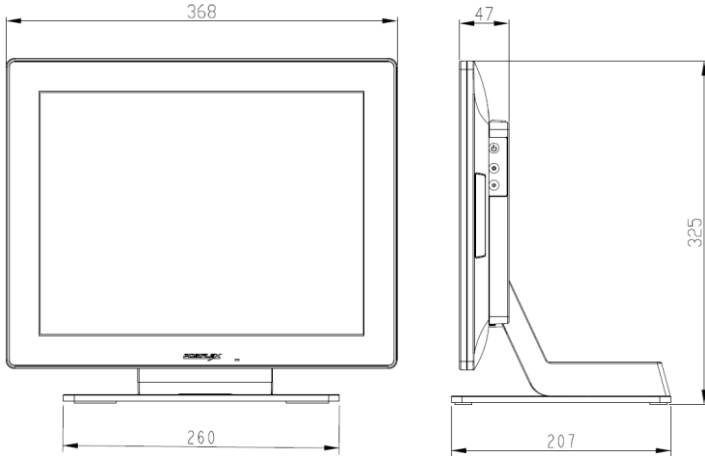


<b>LCD Panel</b>	15" 1024x768 TFT LCD with LED backlight 15.6" 1920x1080 TFT LCD with LED backlight	
<b>Touch Sensor</b>	P-CAP touch	
<b>Serial Port</b>	3 ports, DB9 x 1+ RJ-50 x 2	
<b>USB Port</b>	5 ports, USB3.0 x 2 + USB2.0 x 3 (2 on I/O plate, 1 on left side)	3 ports, USB3.0 x 2 + USB2.0 x 1 (on left side)
<b>PoweredUSB</b>	N/A	24V PoweredUSB x 1
<b>LAN Port</b>	10/100/1000 Mb x 1	
<b>Display Port</b>	<ul style="list-style-type: none"> <li>● eDP connector (internal header, support 15" and 15.6" LCD panel)</li> <li>● VGA + USB + 12V (internal header, supporting 2nd monitor)</li> <li>● 1 x Mini DP port (on I/O plate)</li> </ul>	
<b>CR Port</b>	1 port, controlling 2 CR	
<b>Audio Port</b>	1 x Internal 2W speaker	
<b>Extension Slot</b>	1 x M.2 2230 slot for WiFi/BT module	
<b>Mechanical</b>	With base stand	No base, intended for wall mount/pole mount
<b>Dimension (W x V x D in mm)</b>	<b>RT-6015-G2:</b> 368 x 325 x 207 <b>RT-6015Q-G2:</b> 368 x 292 x 46.6 <b>RT-6016-G2:</b> 402 x 297 x 207 <b>RT-6016Q-G2:</b> 402 x 251 x 41.2	
<b>Environmental Requirements</b>	Operating : 0°C ~ 40°C , 20%RH - 90%RH Storage : -20°C ~ 70°C , 10%RH - 90%RH	
<b>Regulation Rules</b>	FCC/CE	
<b>Attachment</b>		
<b>RA-101</b>	Slim MSR attachment for RT series	
<b>RA-103</b>	iButton (or RFID) with one USB port attachment for RT series	
<b>RA-104</b>	2D scanner attachment for RT series	
<b>RA-301</b>	3-in-1 MSR + Fingerprint Sensor + 2D scanner attachment for RT series	
<b>LM/TM-4010</b>	9.7" 2nd display for RT series terminal	
<b>LM/TM-4011</b>	10.1" 2nd display for RT series terminal	
<b>LM/TM-4015</b>	15" 2nd display for RT series terminal	
<b>RT-460</b>	PoweredUSB module to support 12V and 24V Powered USB ports	

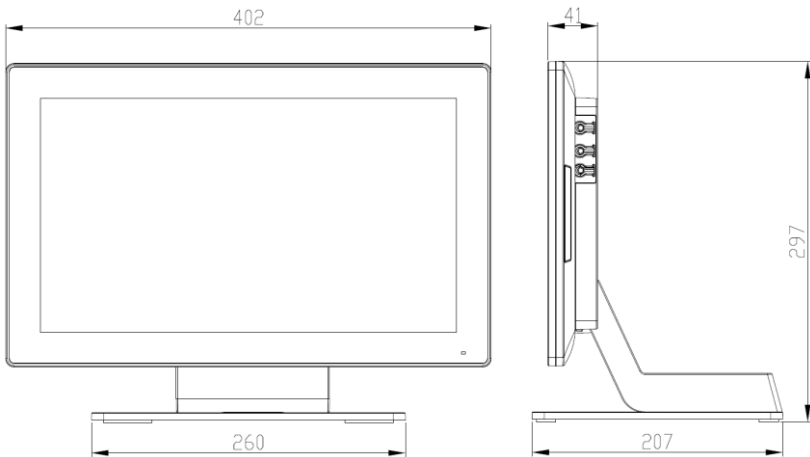
	(installed in base stand, <b>NOT for RT-6xxxQ-G2</b> )
<b>RT-560</b>	USB port replicator ( USB2.0 x 4, installed in base stand, <b>NOT for RT-6xxxQ-G2</b> )
<b>RB-5000</b>	UPS battery stand ( <b>NOT for RT-6xxxQ-G2</b> )

## Outline Dimension

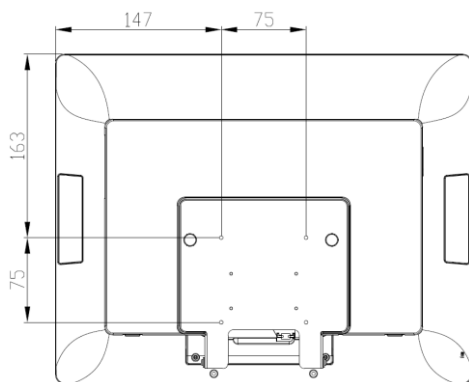
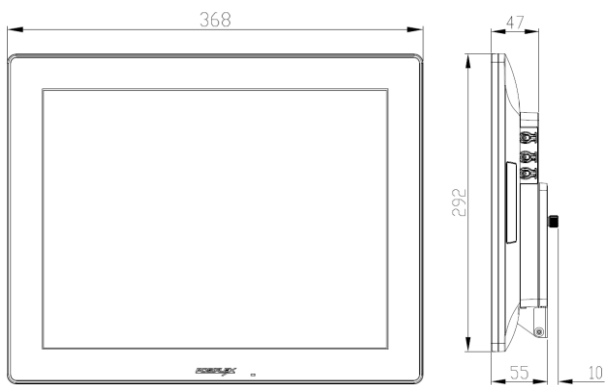
### RT-6015-G2



### RT-6016-G2

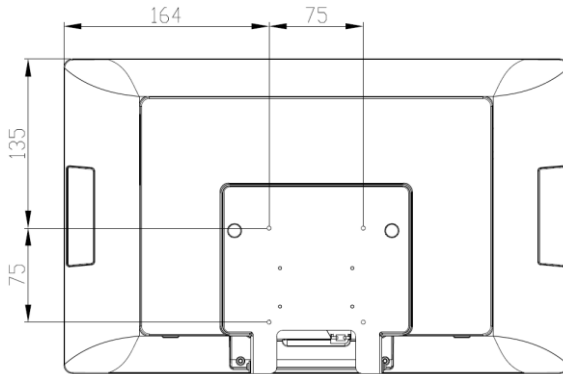


RT-6015Q-G2



RT-6016Q-G2





**※ The product information and specifications are subject to change without prior notice. To get the detailed information on the RT-6xxx-G2/6xxxQ-G2, please check this model from Posiflex Global Website.**